

Digital Force Indicator Model LK

Ranges to 10,000 lbs.

Tension and Compression Measurement

High/Low Force Capture

- Zero Offset/Tare
- NIST Statement
- Customer Recalibration
- Selectable Engineering Units
- CE Compliant
- Additional information at:
www.dctinstruments.com/lkdata.htm

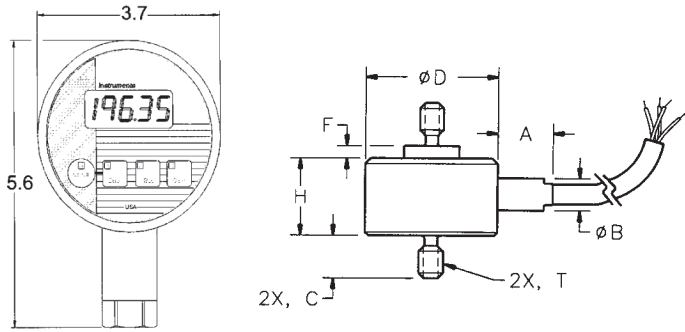
The Model LK Digital Force Indicator is a highly portable force measurement device. With its 9V battery supply and compact size the indicator can easily be carried to remote locations to perform force measurement calibrations. The unit can measure forces in tension and compression over ranges up to 10,000 lbs. The peak capture feature allows the highest force reading taken to be displayed with the push of a button. A zero/tare button is also standard on all models.

The remote location of the load sensor minimizes the chance of damage to the electronic body of the gauge. The stainless steel construction of the sensor and the indicator also make them resistant to the occasional mishandling than can occur in the field.

Optional handles are available for the load cell and gauge. See our web site for more information.



DIMENSIONS



Available Ranges*	T Thread	D"	H"	C"	F"	A"	B"
1lb	#6-32 UNC	1.00	.75	.25	.11	.50	.38
5; 10 lbs.	#6-32 UNC	.75	.45	.25	.05	.31	.19
25; 50; 100 lbs.	#10-32 UNF	1.00	.52	.25	.03	.50	.25
250; 500; 1000 lbs.	1/2-28 UNF	1.00	.52	.38	.03	.50	.25
2000; 3000 lbs.	3/8-24 UNF	1.00	.72	.50	.03	.50	.38
4000; 5000 lbs.	1/2-20 UNF	1.25	.94	.63	.03	.50	.38
7500; 10,000 lbs.	3/4-16 UNF	1.38	1.10	.88	.03	.50	.38

Specifications subject to change. Request certified drawing before designing mountings or fixtures.

ACCESSORIES

	ORDER CODE
PANEL MOUNTING RING	MR2
NIST CERTIFICATION	NISTCERT
(In addition to NIST Statement)	
STANDARD CARRYING CASE	CC2
Size 3 ⁹ / ₁₆ D x 7 ¹³ / ₁₆ W x 8 ¹ / ₂ L	
HANDLE	HD1



SPECIFICATIONS

Diameter:	3.7"
Repeatability:	0.2% F.S.
Range:	1-10,000 lbs.
Display:	4 1/2 digit
Threads:	Range Dependent
Power:	9V battery, 11-32, 110 VAC
Case Material:	Stainless Steel
Cell Material:	Stainless Steel
High & Low Capture:	Standard
Update Speed:	3/second (selectable to 10/second)
Zero & Span Adjustment:	Standard
Face Membrane:	Tactile feedback
Calibration Data:	Stored on memory chip
Low Battery Indication:	Standard

ORDERING INFORMATION

ORDER CODE *Sample*

SERIES _____ LK W 100 K Z ()
 LK=0.2% repeatability

POWER _____
 W=Battery Powered (9volt alkaline)
 T=110 Volts AC adapter (included)
 V=11 to 32 VDC (3 ft. cable)

LOAD RANGE (lbs.) _____ standard
 5=0-5 1K=0-1000
 10=0-10 2K=0-2000
 25=0-25 3K=0-3000
 50=0-50 4K=0-4000
 100=0-100 5K=0-5000
 250=0-250 7.5K=0-7500
 500=0-500 10K=0-10,000

REFERENCE _____
 K=Compression
 T=Tension
 C=Compound

ELECTRICAL CONNECTION _____

Z = No electrical connection
 C = 3 foot cable
 T = AC adapter
Call factory for availability of other electrical connections and cable lengths.

UNITS OF MEASURE (Field Selectable)

Note: lbs is standard
 n = Newton
 Kn = Kilonewton
 g = Grams
 Kg = Kilograms
 Consult factory for other units of measure not listed

OPTIONAL NEMA 4 CONSTRUCTION _____

4 = NEMA 4

This order code is used ONLY if you want NEMA 4 rating.

Range (lbs.)

Incremental Display Steps

0 - 1 = 1 (opt)	.001
0 - 5 = 5	.005
0 - 25 = 25	.02
0 - 50 = 50	.01
0 - 100 = 100	.02
0 - 250 = 250	.05
0 - 500 = 500	.1
0 - 1,000 = 1K	.2
0 - 2,000 = 2K	.5
0 - 3,000 = 3K	2
0 - 4,000 = 4K	2
0 - 5,000 = 5K	1
0 - 7,500 = 7.5K	2
0 - 10,000 = 10K	2